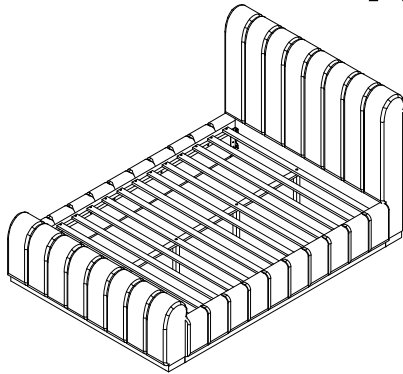


ASSEMBLY INSTRUCTION

meridian.
furniture

Amara-Queen



+ Do Not Use Power Tools



+ Suggested Adults



NOTE: For questions about parts or assembly please email support@meridianfurnitureusa.com or call us at 718-758-4455.

- 1 Read instructions cover to cover.
- 2 Save all packaging until assembly is completed.

1 IMPORTANT SAFETY INFORMATION

Do not assemble the product if any of the following parts arrived damaged:

- Part # - Side Rails
- Part # - Center Support Bar
- Part # - Support Legs
- Part # - Slats

2 IMPORTANT ASSEMBLY INFORMATION

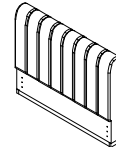
Assembly Step Ensure the side rail bracket is fully hooked onto bolt loosely threaded with both washers on the OUTSIDE of the bracket first, then proceed to fully tightening all 4 comers.

+ Parts Included

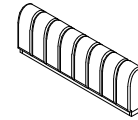
included in separate box when purchasing the Amara-117 or Amara-133



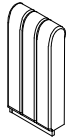
① Headboard (1pc)



② Footboard (1pc)

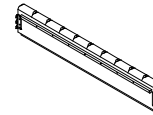


③ Panel-Left-Right (2pcs)

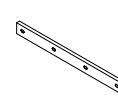


*See last page for "Version 2"

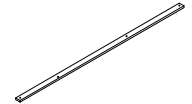
④ Side Rail -Left-Right (2pcs)



⑤ Connection Rod (4pcs)



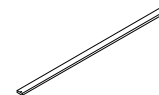
⑥ Center Rail (1pc)



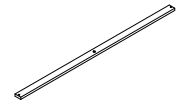
⑦ Support Leg (4pcs)



⑧ Slats (9pcs)



⑨ Slats (4pcs)



+ Hardware Included

A Bolt
5/16 x 60mm
(16pcs)



B Bolt
5/16 x 40mm
(12pcs)



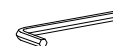
C Spring Washer
(28pcs)



D Spring Washer
(28pcs)



E Allen key
M5 x 70mm
(2pcs)

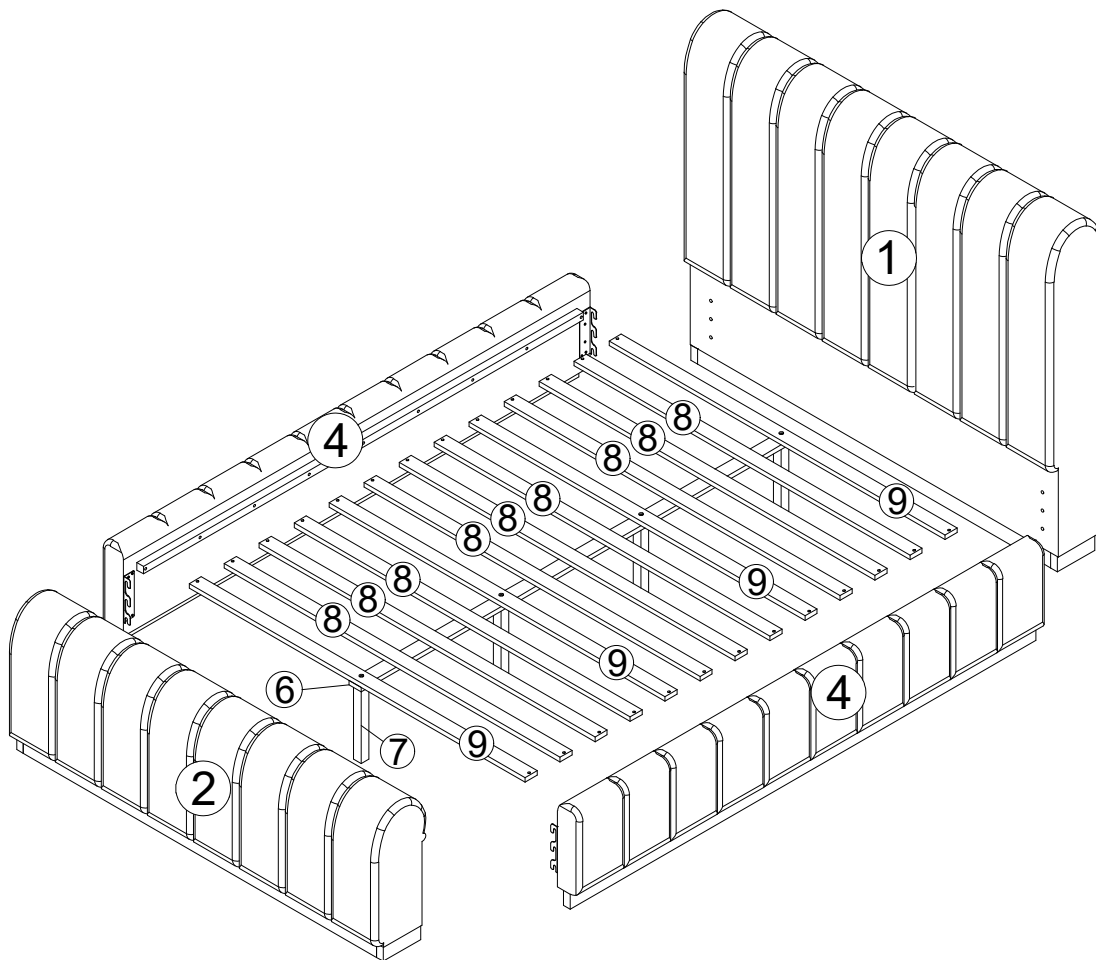


F screw
M4x30mm
(26pcs)



ASSEMBLY INSTRUCTION

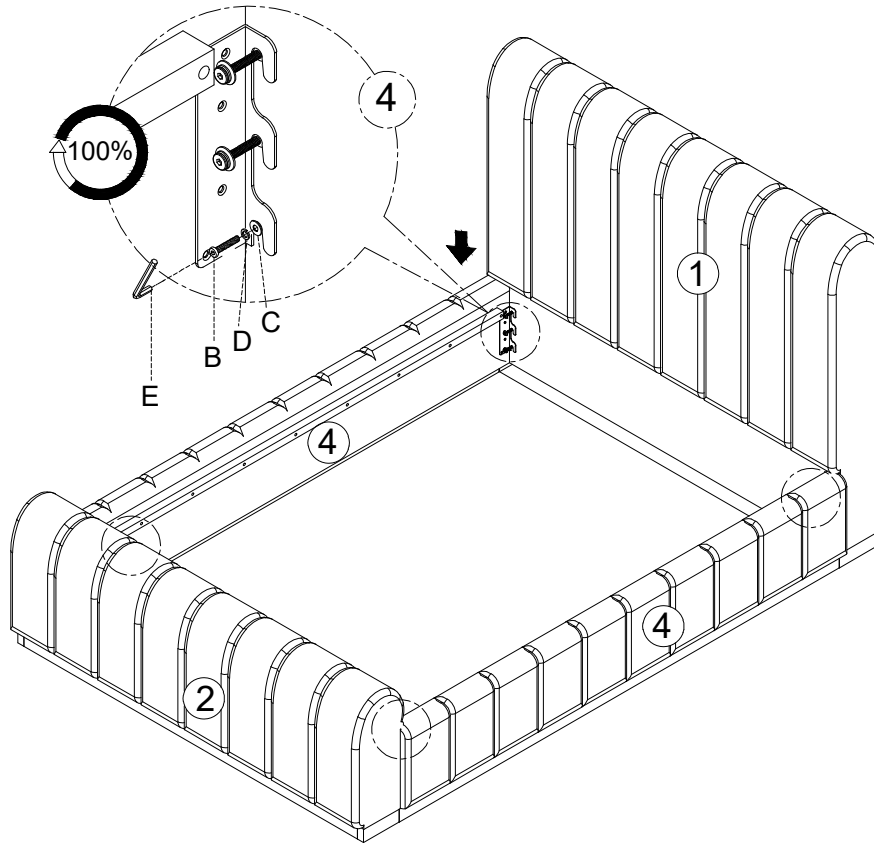
Amara-Queen



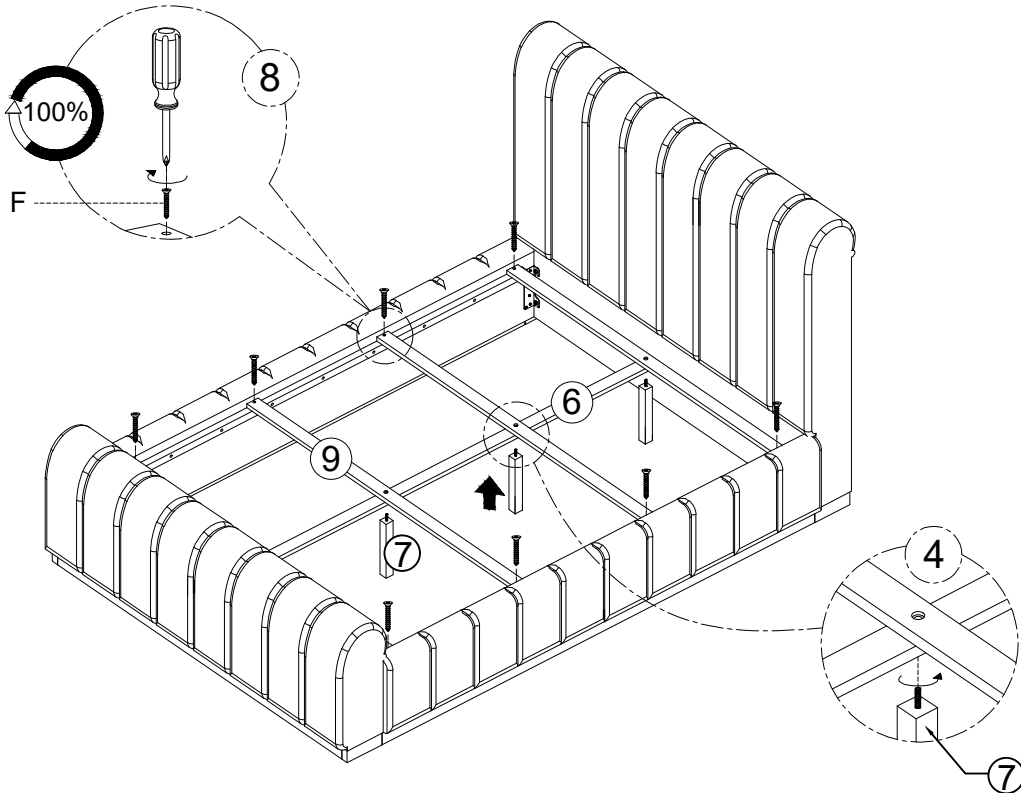
ASSEMBLY INSTRUCTION

Amara-Queen

Step 1



Step 2

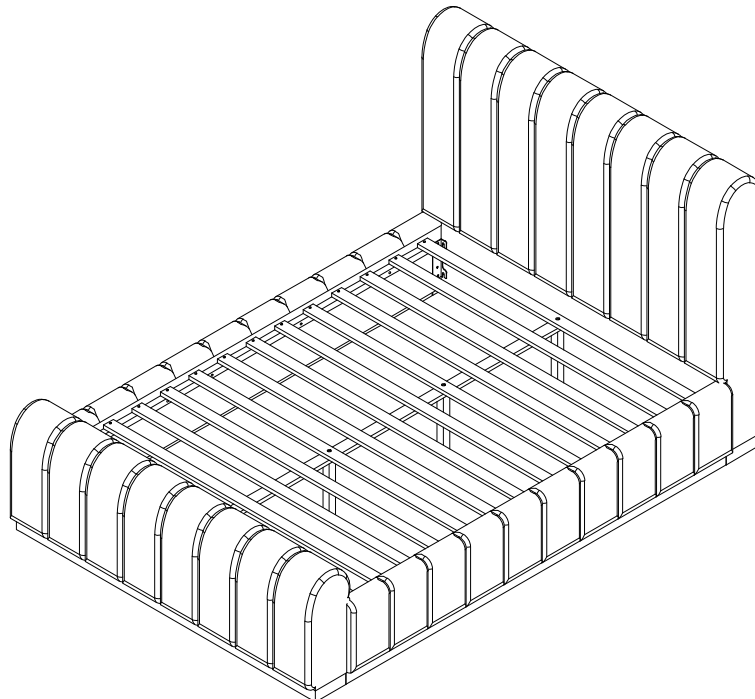
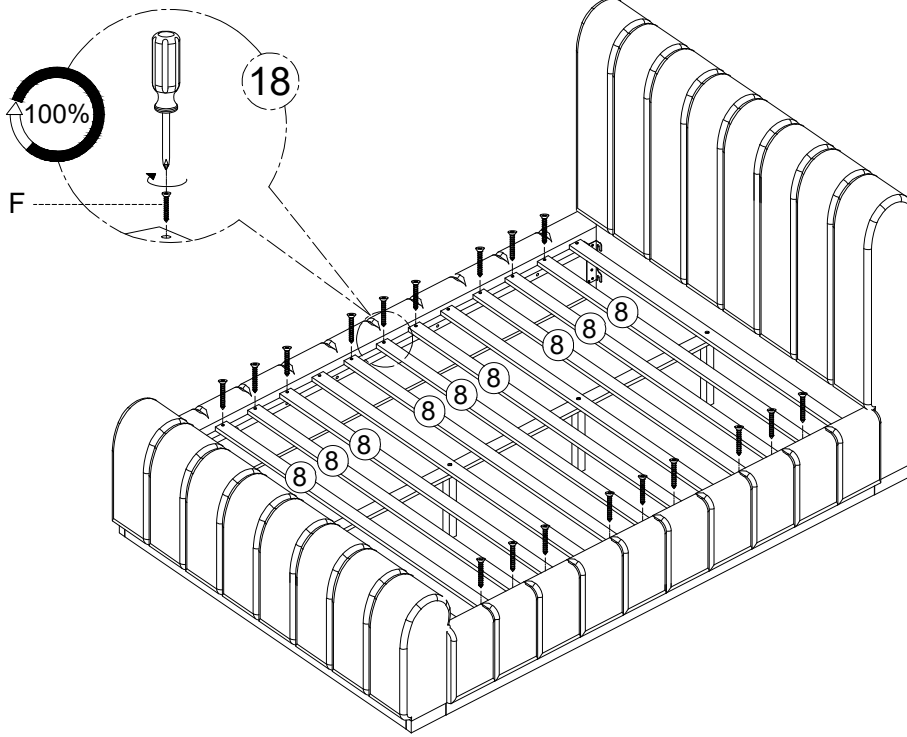


ASSEMBLY INSTRUCTION

Amara-Queen

Step 3

Fx18



ASSEMBLY INSTRUCTION

Amara-Queen

Version 2

Note : If you purchased this bed with Part 3 "Panel L + R", please follow the below steps.

included in separate box when purchasing the Amara-117 or Amara-133

