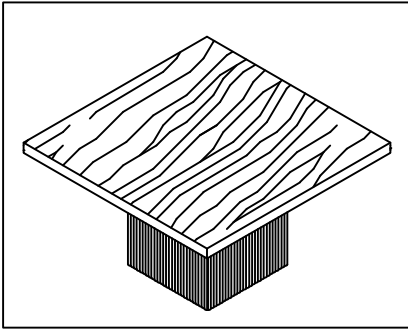


ASSEMBLY INSTRUCTIONS

SKU/ITEM:729-T Dining Table

meridian.
furniture



**+ Do Not Use
power Tools**



**+ Suggested
Adults**



Note: For questions about parts or assembly please email support@meridianfurnitureusa.com or call us at 718-758-4455

- 1 Read instructions cover to cover.
- 2 Save all packaging until assembly is completed.

1 IMPORTANT SAFETY INFORMATION

Do not assemble the product if any of the following parts arrived damaged:

- Part# -Table Top
- Part# -Connection Panel
- Part# -Base

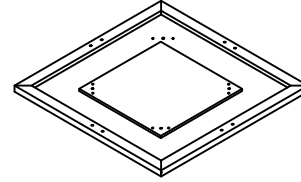
2 IMPORTANT ASSEMBLY INFORMATION

Assembly step Use Bolt B to connect Part 3 to Part 2 use Bolt B to connect Part 2 to Part 1

***Warning:** Do not over tighten screws, or it could damage the Table Top.

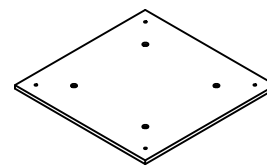
+ Parts Included

①



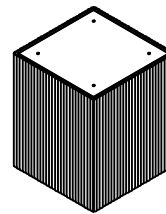
1PC

②



1PC

③



1PC

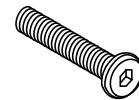
+ Hardware Included

A



Allen wrench (5MM)
(1PC)

B



Bolt (5/16*1 3/8")
(8PCS)

C



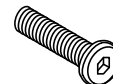
Washer(12 PCS)

D



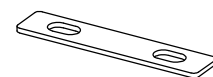
Flat Washer(12 PCS)

E



Bolt (5/16*1")
(4PCS)

F



Metal plate(120*25*3MM)
(2PCS)

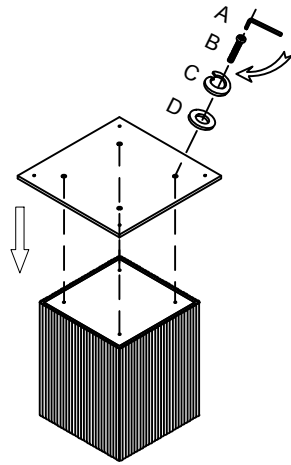
F only need to use if connecting multiple tables together

ASSEMBLY INSTRUCTIONS

SKU/ITEM:729-T Dining Table

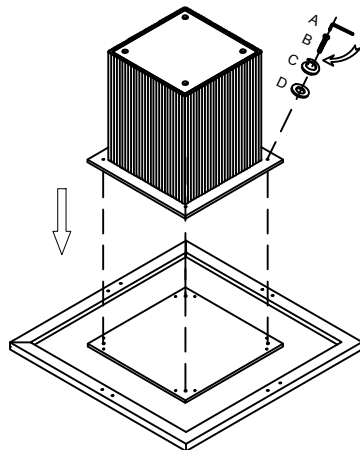
meridian.
furniture

4



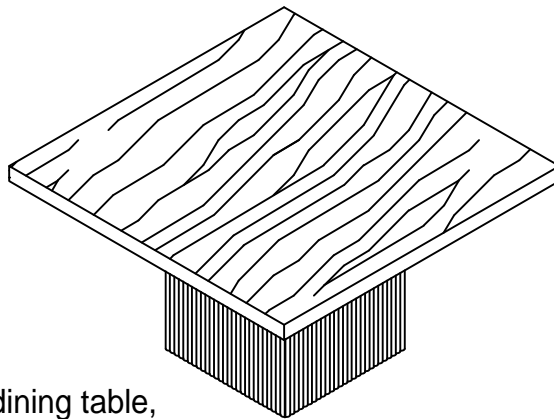
Note: Do not over tighten screws

2



Note: Do not over tighten screws

3



If you buy more than one dining table,
you can use F to connect it.

NOTE: For questions about parts or assembly please email
support@meridianfurnitureusa.com or call us at 718-758-4455
www.MeridianFurnitureUSA.com | support@meridianfurnitureusa.com